

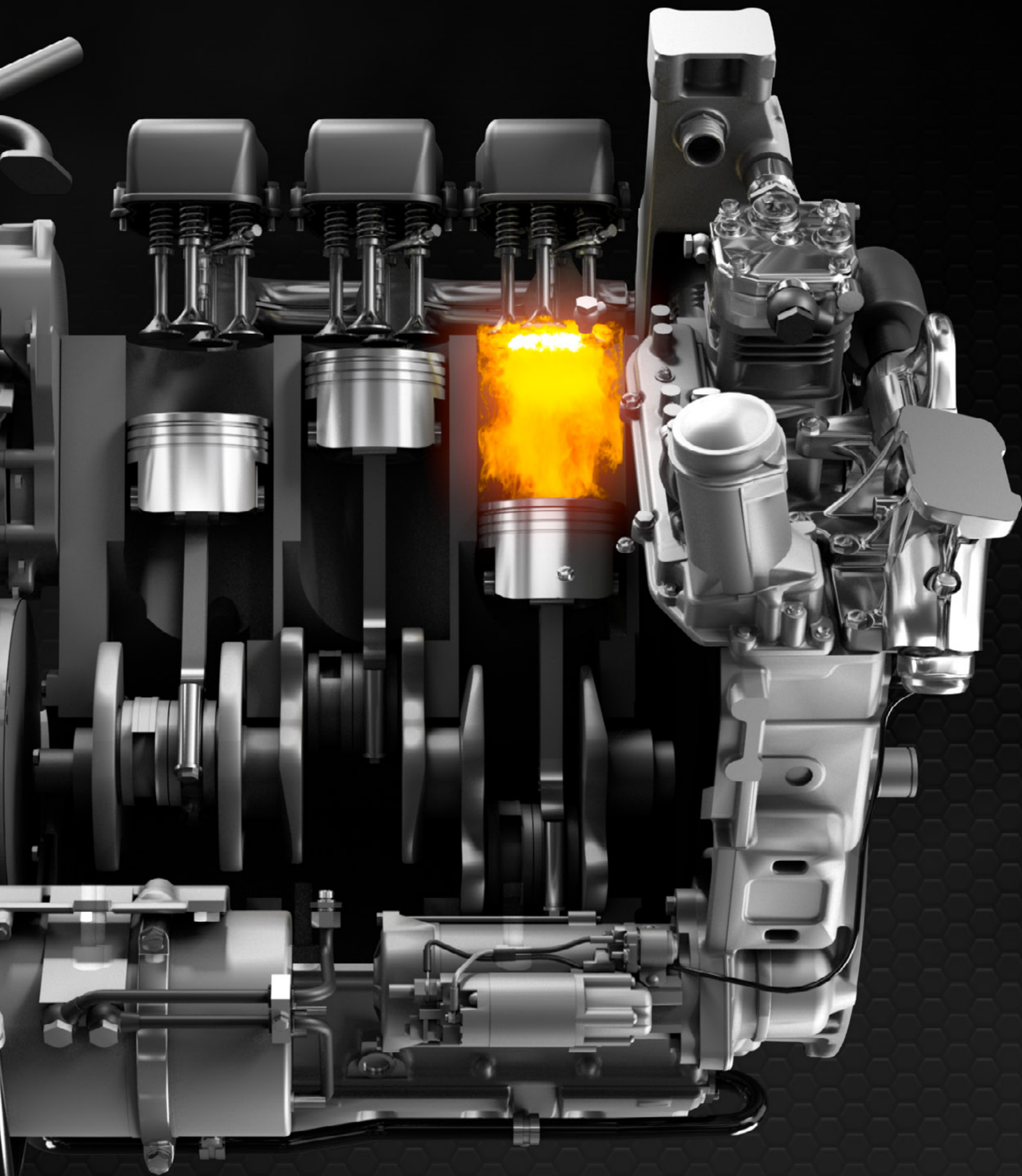
# A FULLY BALANCED PACKAGE OF ADDITIVES

Cenex® Premium Diesel comes with a more complete additive package for a more complete burn to optimize performance in all engines.



**CUT TO THE CHASE ▶**





**SOME MIGHT CALL THIS  
AN ELEVATOR PITCH.  
WE JUST CALL IT THE FACTS.**

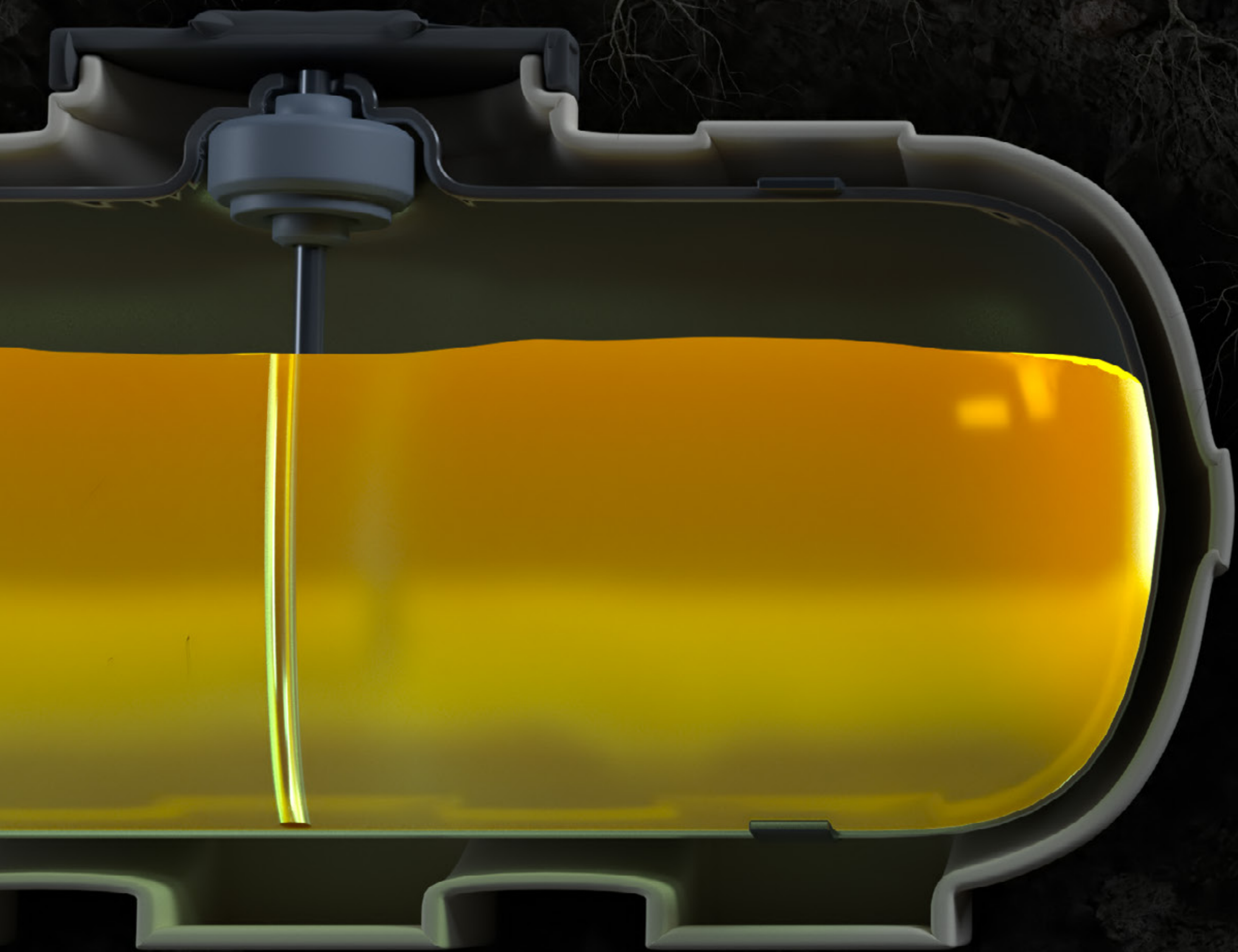
**CENEX PREMIUM DIESEL**

- Comes with a more complete, terminally injected additive package.
- Decreases downtime by helping to reduce maintenance and repairs.
- Restores power by up to 4.5%.
- Restores fuel economy by up to 5%.

**IN SHORT, IT'S THE DIESEL THAT  
DOESN'T MESS AROUND.**



A BRAND OF **CHS**



## STORAGE STABILIZER

Extends storage life longer than typical #2 diesel.

### BENEFITS

- Tolerates temperature extremes.
- Reduces varnish and gum buildup.
- Increases injector life and optimizes combustibility.
- Maximizes overall performance.

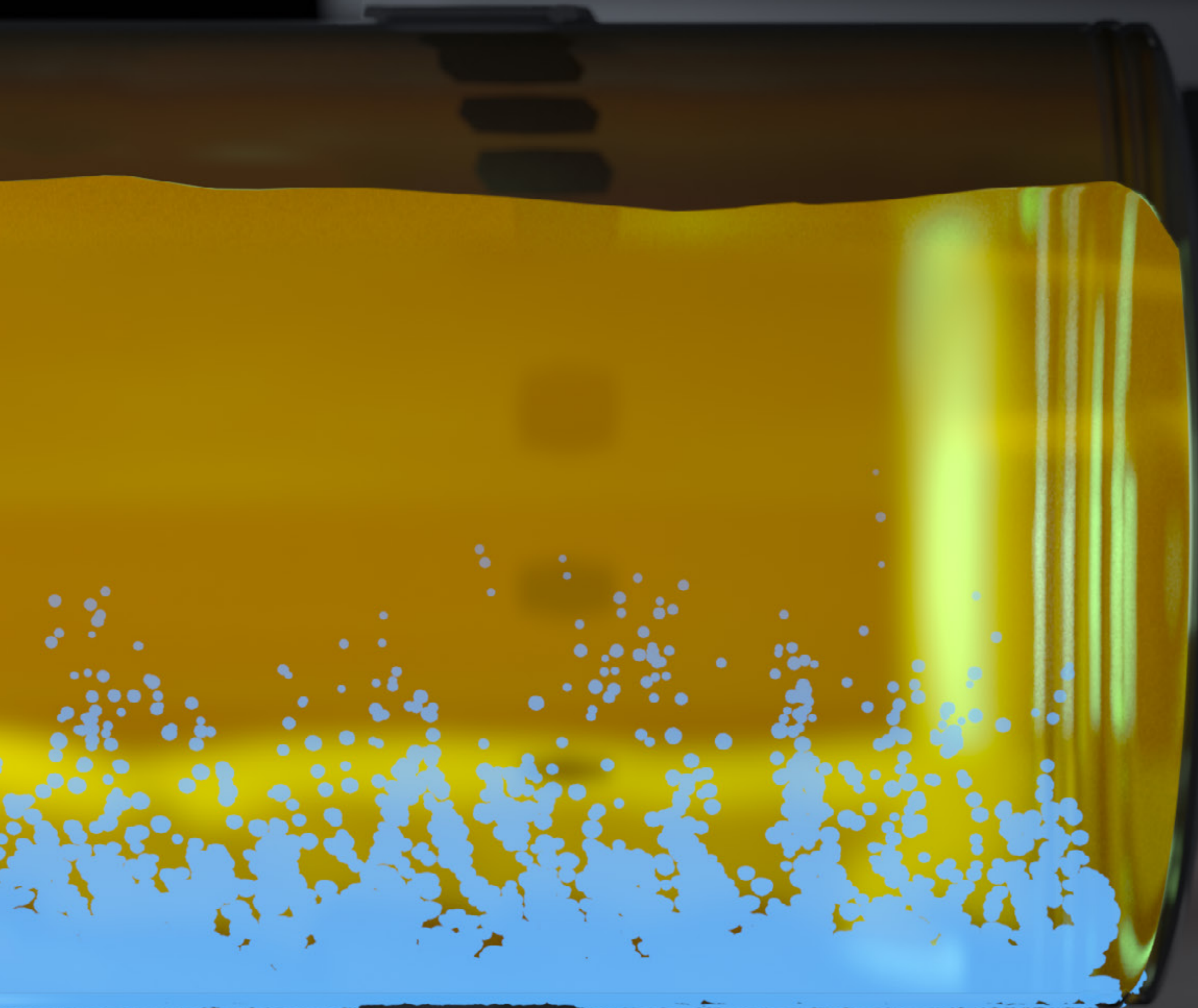


A BRAND OF CHS

◀  
PREVIOUS

⬆  
HOME

▶  
NEXT



## DEMULSIFIER

Keeps moisture from entering the fuel system.

### BENEFITS

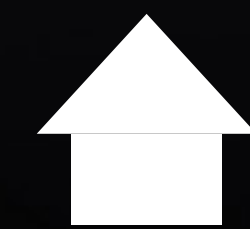
- Separates water from fuel and, along with gravity, drops the water to the bottom for easy draining during stops.
- Reduces the volume of moisture that enters the combustion chamber.
- Reduces filter plugging.



A BRAND OF CHS



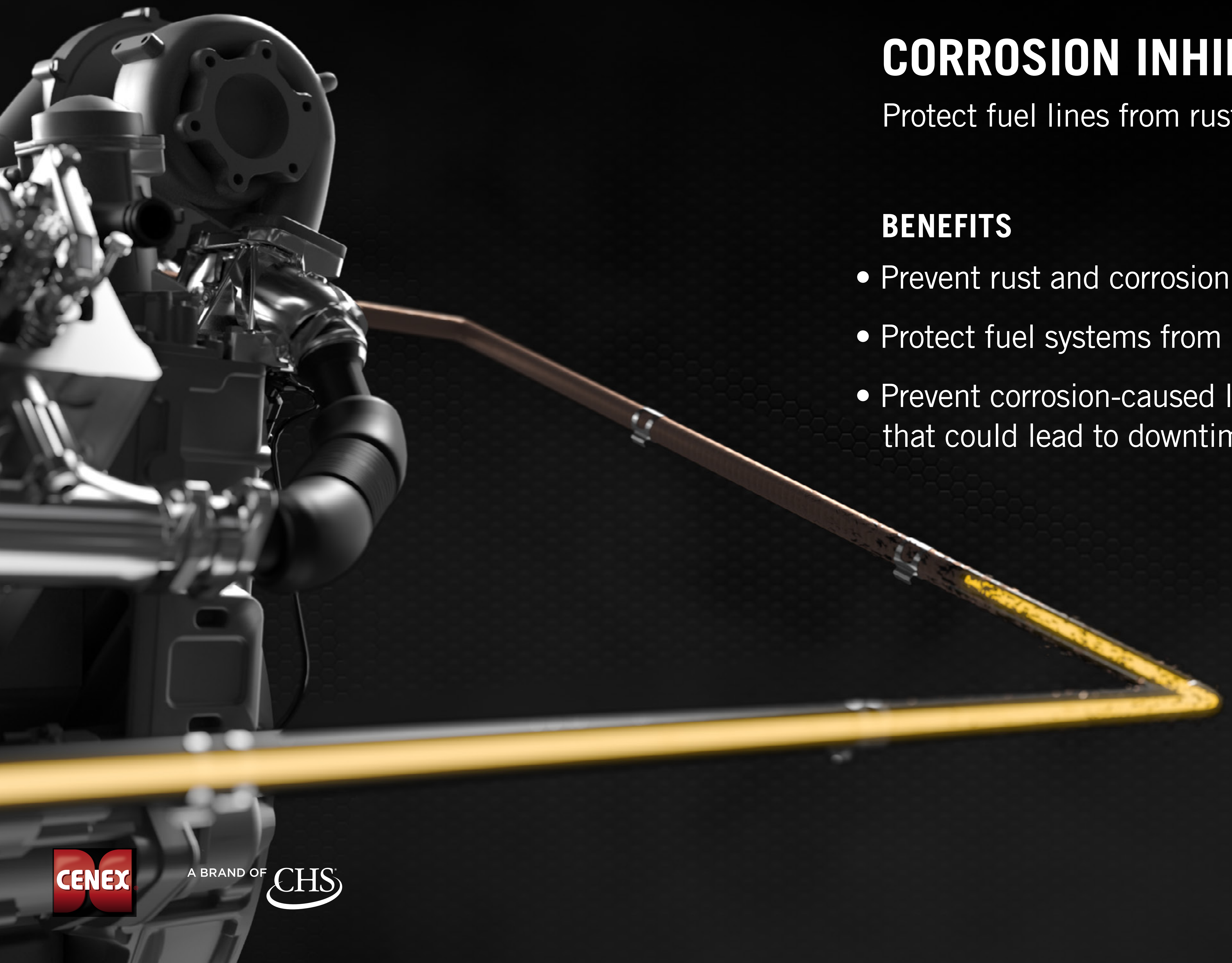
PREVIOUS



HOME



NEXT



# CORROSION INHIBITORS

Protect fuel lines from rust and corrosion.

## BENEFITS

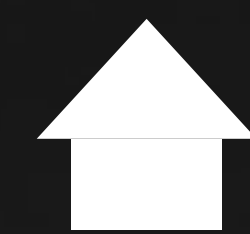
- Prevent rust and corrosion from forming on metal parts.
- Protect fuel systems from rust and pitting.
- Prevent corrosion-caused leaks, blocking and breaks that could lead to downtime and repairs.



A BRAND OF



PREVIOUS



HOME



NEXT

# LUBRICITY IMPROVER

Protects moving parts from excessive wear and failure.

## BENEFITS

- Provides 10–15% more lubricity than typical #2 diesel.
- Protects injector and injector pumps against wear.



A BRAND OF CHS

◀  
PREVIOUS

⬆  
HOME

▶  
NEXT



## INJECTION STABILIZER

Prevents diesel fuel from coking.

### BENEFITS

- Helps reduce filter and injector repairs and replacements.
- Prevents the formation of internal diesel injector deposits.



A BRAND OF CHS





## AGGRESSIVE DETERGENTS

Clean the entire fuel system.

### BENEFITS

- Maintain an ideal injector fuel spray pattern.
- Provide a cleaner, more complete burn.
- Restore power by up to 4.5%.
- Restore fuel economy by up to 5%.



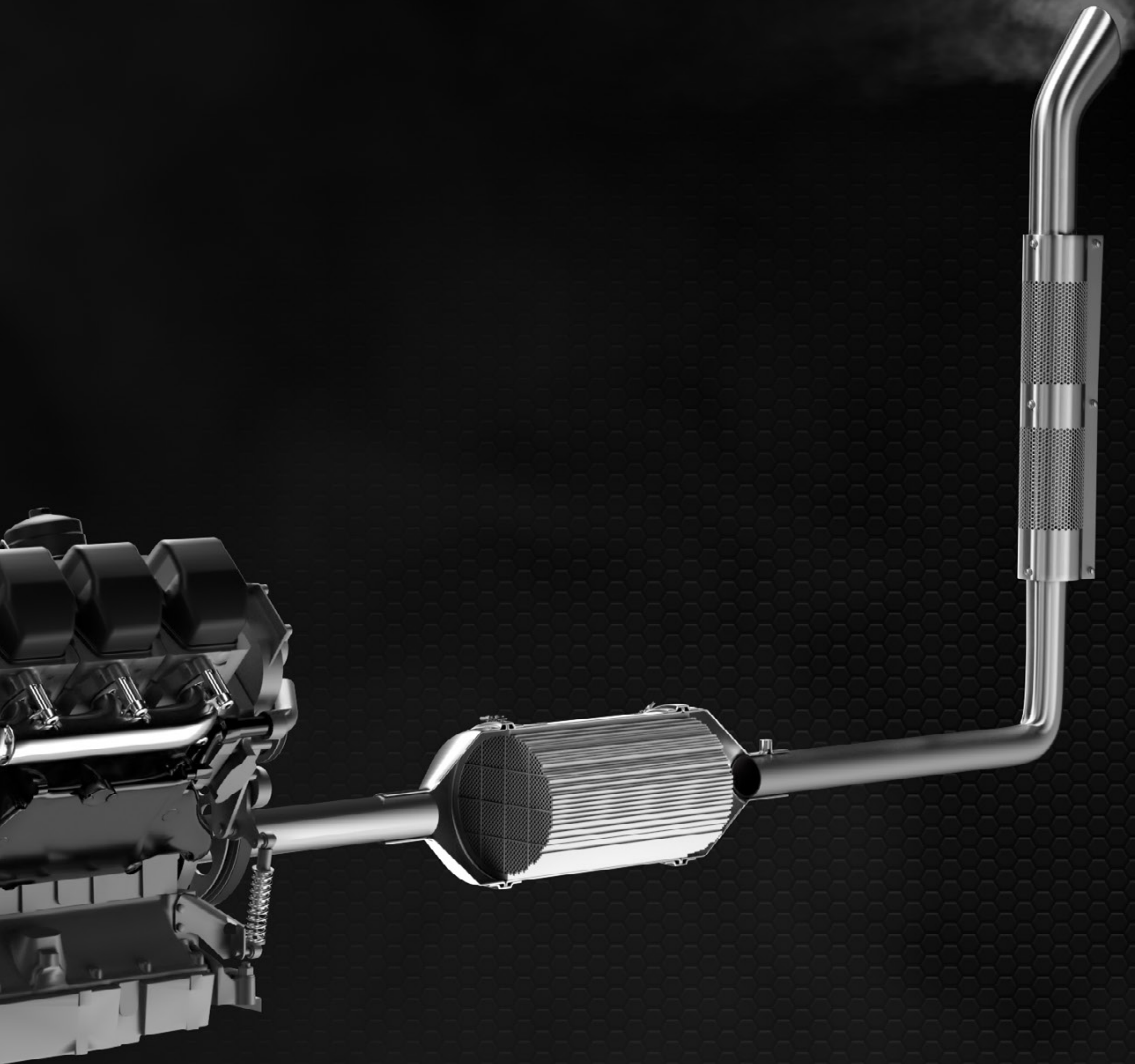
A BRAND OF **CHS**

◀  
PREVIOUS

⬆  
HOME

▶  
NEXT





## CETANE IMPROVER

Provides a more complete burn for a cleaner exhaust system.

### BENEFITS

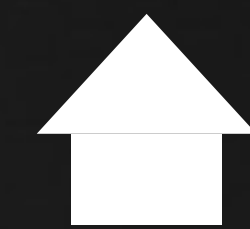
- Enhances ignition quality for quicker, smoother starts.
- Generates cleaner exhaust and fewer emissions for longer lasting diesel particulate filters.
- Makes for less time regenerating.
- Reduces wear and tear on vehicle starter and battery.



A BRAND OF **CHS**



PREVIOUS



HOME



NEXT